

## Leveling Feet

Stainless Steel AISI 316 L

### SPECIFICATION

#### Types (Base plate)

- Type **DO**: Without rubber pad
- Type **BO**: Without rubber pad, with 2 fixing holes
- Type **D1**: With rubber pad, clipped on, black
- Type **D3**: With rubber pad, vulcanized, black

#### Versions of threaded stem

- Version **S**: Without nut, External hex at the bottom
- Version **SK**: With nut, External hex at the bottom
- Version **T**: Without nut, Wrench flat at the bottom
- Version **TK**: With nut, Wrench flat at the bottom

#### Base plate

Stainless steel AISI 316 L

Plain, ground

#### Threaded stem

Stainless steel AISI 316 L

Hex nut ISO 4032

Stainless steel

Rubber cap

Clipped on

Black, TPE (Santoprene®)

≈ 80 Shore A

Rubber pad

Vulcanized

Black, NBR (Perbunan®)

70±5 Shore A

### INFORMATION

Leveling feet GN 44 are for use in aggressive environments. The range of combinations of base plates and adjustable spindle versions allows these leveling feet to be used in every situation.

The base plate with the rubber pad protects sensitive surfaces and reduces lateral slippage. The type B0 can also be fastened to the mounting surface through two holes.

The leveling feet are supplied fully assembled and are not removable.

### TECHNICAL INFORMATION

- Plastic Characteristics (see page A2)
- Stainless Steel Characteristics (see page A26)



### LOAD RATING OF LEVELING FEET

#### Information

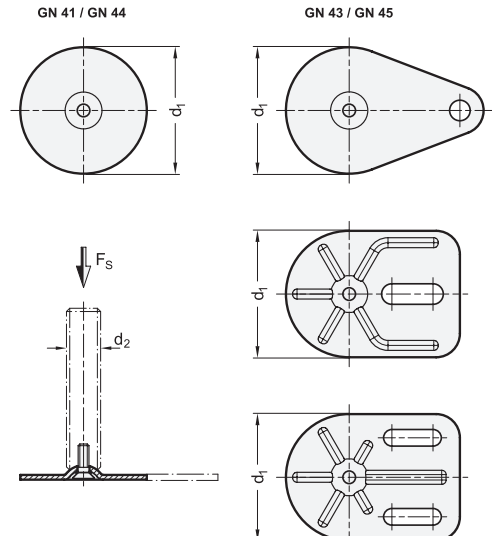
The static load bearing capacity given in the table rests on a test series in which the load has been applied perpendicular to the base plate. For the values given in the table, the strain relief may result in minor deformations of the base plate.

Bending and buckling stress which often occurs in practice results in a lower load bearing capacity of the adjustment spindle and may have to be taken into account.

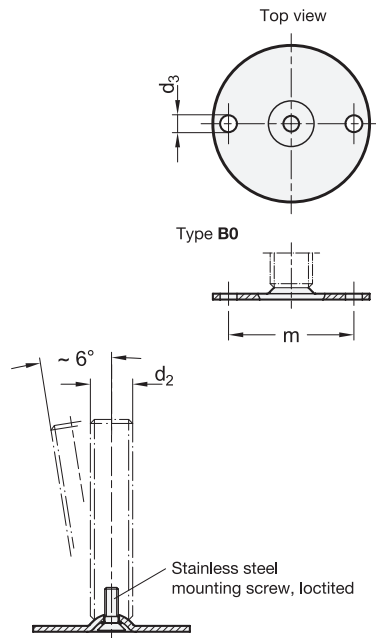
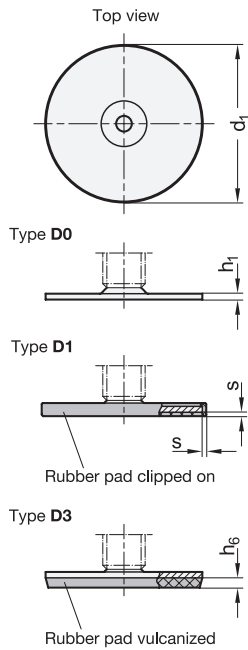
Also, the spindle strength is assumed to be  $\geq 500 \text{ N/mm}^2$ .

The details given on strength are nonbinding guide values without any liability. In general, they do not constitute a warranty of quality.

The user must determine from case to case if a product is suitable for the intended purpose or use. Environmental factors may influence the stated values.

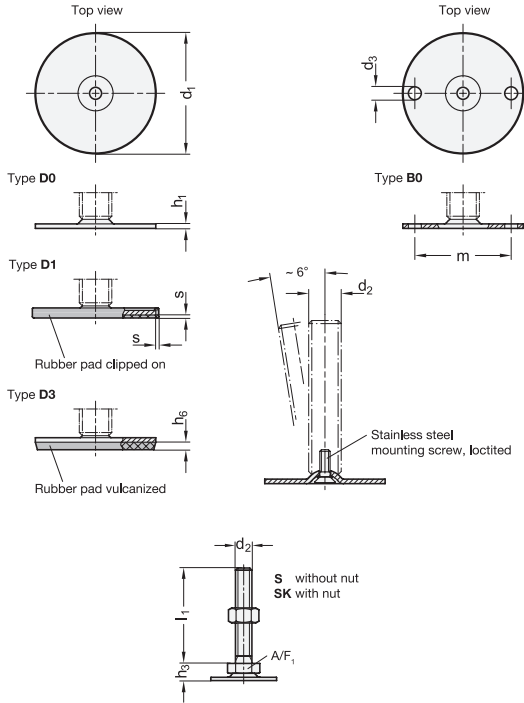


Versions of threaded stem	
<p><b>S / SK:</b> External hex at the bottom at <math>d_2</math> M 8, M 10, M 12</p>	<p><b>T / TK:</b> Wrench flat at the bottom at <math>d_2</math> M 16, M 20, M 24, M 30</p>





Leveling elements 11



\* Complete with  
S without nut SK with nut

**GN 44-S/SK**

**STAINLESS STEEL**

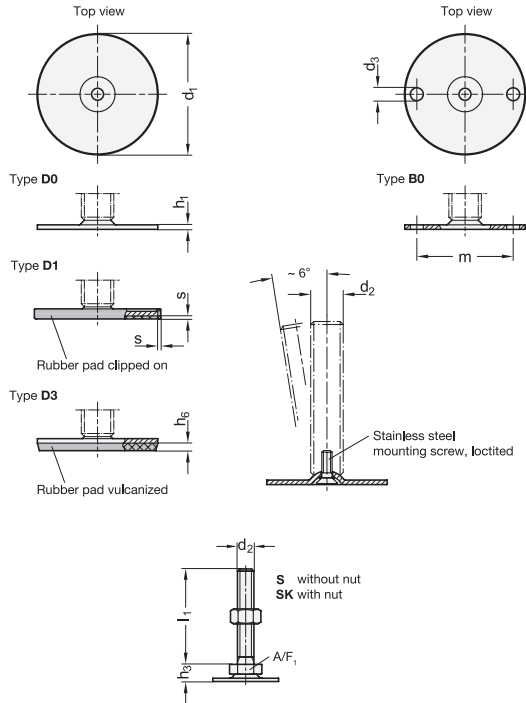
Description	d1	d2	l1	d3	h1	h3	h6	m	s	A/F1	Static load in kN	
GN 44-40-M8-40-D0-*	40	M 8	40	-	2	11	-	30	-	17	8	63
GN 44-40-M8-40-B0-*	40	M 8	40	5.4	2	11	-	30	-	17	8	62
GN 44-40-M8-40-D1-*	40	M 8	40	-	2	11	-	30	1.5	17	8	66
GN 44-40-M8-40-D3-*	40	M 8	40	-	2	11	3.5	30	-	17	8	48
GN 44-40-M8-50-D0-*	40	M 8	50	-	2	11	-	30	-	17	8	56
GN 44-40-M8-50-B0-*	40	M 8	50	5.4	2	11	-	30	-	17	8	65
GN 44-40-M8-50-D1-*	40	M 8	50	-	2	11	-	30	1.5	17	8	69
GN 44-40-M8-50-D3-*	40	M 8	50	-	2	11	3.5	30	-	17	8	70
GN 44-40-M8-63-D0-*	40	M 8	63	-	2	11	-	30	-	17	8	50
GN 44-40-M8-63-B0-*	40	M 8	63	5.4	2	11	-	30	-	17	8	69
GN 44-40-M8-63-D1-*	40	M 8	63	-	2	11	-	30	1.5	17	8	54
GN 44-40-M8-63-D3-*	40	M 8	63	-	2	11	3.5	30	-	17	8	74
GN 44-40-M10-50-D0-*	40	M 10	50	-	2	11	-	30	-	17	12	55
GN 44-40-M10-50-B0-*	40	M 10	50	5.4	2	11	-	30	-	17	12	54
GN 44-40-M10-50-D1-*	40	M 10	50	-	2	11	-	30	1.5	17	12	58
GN 44-40-M10-50-D3-*	40	M 10	50	-	2	11	3.5	30	-	17	12	59
GN 44-40-M10-60-D0-*	40	M 10	60	-	2	11	-	30	-	17	12	79
GN 44-40-M10-60-B0-*	40	M 10	60	5.4	2	11	-	30	-	17	12	78
GN 44-40-M10-60-D1-*	40	M 10	60	-	2	11	-	30	1.5	17	12	82
GN 44-40-M10-60-D3-*	40	M 10	60	-	2	11	3.5	30	-	17	12	70
GN 44-40-M10-80-D0-*	40	M 10	80	-	2	11	-	30	-	17	12	73
GN 44-40-M10-80-B0-*	40	M 10	80	5.4	2	11	-	30	-	17	12	89
GN 44-40-M10-80-D1-*	40	M 10	80	-	2	11	-	30	1.5	17	12	92
GN 44-40-M10-80-D3-*	40	M 10	80	-	2	11	3.5	30	-	17	12	93
GN 44-40-M10-100-D0-*	40	M 10	100	-	2	11	-	30	-	17	12	79
GN 44-40-M10-100-B0-*	40	M 10	100	5.4	2	11	-	30	-	17	12	79
GN 44-40-M10-100-D1-*	40	M 10	100	-	2	11	-	30	1.5	17	12	82
GN 44-40-M10-100-D3-*	40	M 10	100	-	2	11	3.5	30	-	17	12	83
GN 44-40-M12-60-D0-*	40	M 12	60	5.4	2	11	-	30	-	17	12	92
GN 44-40-M12-60-B0-*	40	M 12	60	5.4	2	11	-	30	-	17	12	91

**GN 44-S/SK**

**STAINLESS STEEL**

Description	d1	d2	l1	d3	h1	h3	h6	m	s	A/F1	Static load in kN	
GN 44-40-M12-60-D1-*	40	M 12	60	-	2	11	-	30	1.5	17	12	95
GN 44-40-M12-60-D3-*	40	M 12	60	-	2	11	3.5	30	-	17	12	96
GN 44-40-M12-80-D0-*	40	M 12	80	-	2	11	-	30	-	17	12	107
GN 44-40-M12-80-B0-*	40	M 12	80	5.4	2	11	-	30	-	17	12	106
GN 44-40-M12-80-D1-*	40	M 12	80	-	2	11	-	30	1.5	17	12	110
GN 44-40-M12-80-D3-*	40	M 12	80	-	2	11	3.5	30	-	17	12	110
GN 44-40-M12-100-D0-*	40	M 12	100	-	2	11	-	30	-	17	12	121
GN 44-40-M12-100-B0-*	40	M 12	100	5.4	2	11	-	30	-	17	12	120
GN 44-40-M12-100-D1-*	40	M 12	100	-	2	11	-	30	1.5	17	12	124
GN 44-40-M12-100-D3-*	40	M 12	100	-	2	11	3.5	30	-	17	12	125
GN 44-40-M12-125-D0-*	40	M 12	125	-	2	11	-	30	-	17	12	139
GN 44-40-M12-125-B0-*	40	M 12	125	5.4	2	11	-	30	-	17	12	138
GN 44-40-M12-125-D1-*	40	M 12	125	-	2	11	-	30	1.5	17	12	142
GN 44-40-M12-125-D3-*	40	M 12	125	-	2	11	3.5	30	-	17	12	143
GN 44-50-M8-40-B0-*	50	M 8	40	-	2.5	11	-	38	-	17	8	81
GN 44-50-M8-40-B0-*	50	M 8	40	6.6	2.5	11	-	38	-	17	8	80
GN 44-50-M8-40-D1-*	50	M 8	40	-	2.5	11	-	38	2	17	8	87
GN 44-50-M8-40-D3-*	50	M 8	40	-	2.5	11	4	38	-	17	8	71
GN 44-50-M8-50-D0-*	50	M 8	50	-	2.5	11	-	38	-	17	8	85
GN 44-50-M8-50-B0-*	50	M 8	50	6.6	2.5	11	-	38	-	17	8	83
GN 44-50-M8-50-D1-*	50	M 8	50	-	2.5	11	-	38	2	17	8	91
GN 44-50-M8-50-D3-*	50	M 8	50	-	2.5	11	4	38	-	17	8	92
GN 44-50-M8-63-D0-*	50	M 8	63	-	2.5	11	-	38	-	17	8	88
GN 44-50-M8-63-B0-*	50	M 8	63	6.6	2.5	11	-	38	-	17	8	87
GN 44-50-M8-63-D1-*	50	M 8	63	-	2.5	11	-	38	2	17	8	94
GN 44-50-M8-63-D3-*	50	M 8	63	-	2.5	11	4	38	-	17	8	80
GN 44-50-M10-50-D0-*	50	M 10	50	-	2.5	11	-	38	-	17	14	93
GN 44-50-M10-50-B0-*	50	M 10	50	6.6	2.5	11	-	38	-	17	14	92

Weight version S



\* Complete with  
**S** without nut  
**SK** with nut

GN 44-S/SK

STAINLESS STEEL

Description	d1	d2	l1	d3	h1	h3	h6	m	s	A/F1	Static load in kN	⚖️
GN 44-50-M10-50-D1-*	50	M10	50	-	2.5	11	-	38	2	17	14	99
GN 44-50-M10-50-D3-*	50	M10	50	-	2.5	11	4	38	-	17	14	90
GN 44-50-M10-60-D0-*	50	M10	60	-	2.5	11	-	38	-	17	14	98
GN 44-50-M10-60-B0-*	50	M10	60	6.6	2.5	11	-	38	-	17	14	96
GN 44-50-M10-60-D1-*	50	M10	60	-	2.5	11	-	38	2	17	14	104
GN 44-50-M10-60-D3-*	50	M10	60	-	2.5	11	4	38	-	17	14	105
GN 44-50-M10-80-D0-*	50	M10	80	-	2.5	11	-	38	-	17	14	108
GN 44-50-M10-80-B0-*	50	M10	80	6.6	2.5	11	-	38	-	17	14	107
GN 44-50-M10-80-D1-*	50	M10	80	-	2.5	11	-	38	2	17	14	114
GN 44-50-M10-80-D3-*	50	M10	80	-	2.5	11	4	38	-	17	14	116
GN 44-50-M10-100-D0-*	50	M10	100	-	2.5	11	-	38	-	17	14	118
GN 44-50-M10-100-B0-*	50	M10	100	6.6	2.5	11	-	38	-	17	14	116
GN 44-50-M10-100-D1-*	50	M10	100	-	2.5	11	-	38	2	17	14	124
GN 44-50-M10-100-D3-*	50	M10	100	-	2.5	11	4	38	-	17	14	125
GN 44-50-M12-60-D0-*	50	M12	60	-	2.5	11	-	38	-	17	14	111
GN 44-50-M12-60-B0-*	50	M12	60	6.6	2.5	11	-	38	-	17	14	109
GN 44-50-M12-60-D1-*	50	M12	60	-	2.5	11	-	38	2	17	14	117
GN 44-50-M12-60-D3-*	50	M12	60	-	2.5	11	4	38	-	17	14	118
GN 44-50-M12-80-D0-*	50	M12	80	-	2.5	11	-	38	-	17	14	107
GN 44-50-M12-80-B0-*	50	M12	80	6.6	2.5	11	-	38	-	17	14	124
GN 44-50-M12-80-D1-*	50	M12	80	-	2.5	11	-	38	2	17	14	131
GN 44-50-M12-80-D3-*	50	M12	80	-	2.5	11	4	38	-	17	14	133
GN 44-50-M12-100-D0-*	50	M12	100	-	2.5	11	-	38	-	17	14	140
GN 44-50-M12-100-B0-*	50	M12	100	6.6	2.5	11	-	38	-	17	14	138
GN 44-50-M12-100-D1-*	50	M12	100	-	2.5	11	-	38	2	17	14	146
GN 44-50-M12-100-D3-*	50	M12	100	-	2.5	11	4	38	-	17	14	147
GN 44-50-M12-125-D0-*	50	M12	125	-	2.5	11	-	38	-	17	14	158
GN 44-50-M12-125-B0-*	50	M12	125	6.6	2.5	11	-	38	-	17	14	156
GN 44-50-M12-125-D1-*	50	M12	125	-	2.5	11	-	38	2	17	14	164
GN 44-50-M12-125-D3-*	50	M12	125	-	2.5	11	4	38	-	17	14	165

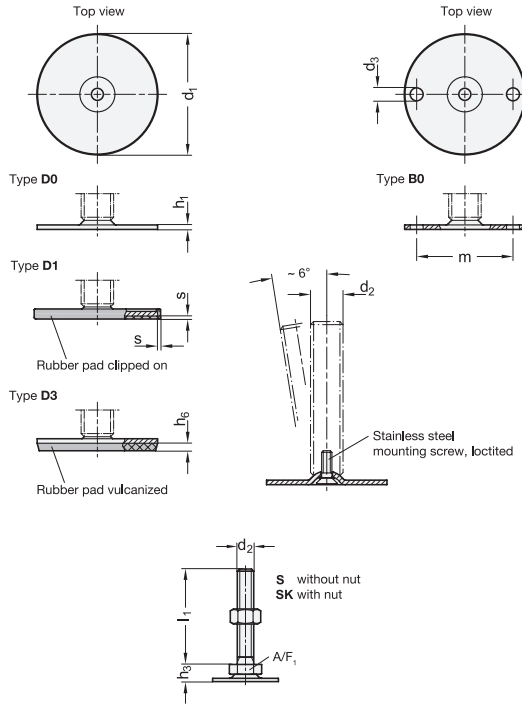
GN 44-S/SK

STAINLESS STEEL

Description	d1	d2	l1	d3	h1	h3	h6	m	s	A/F1	Static load in kN	⚖️
GN 44-60-M8-40-D0-*	60	M8	40	-	2.5	11	-	48	-	17	8	98
GN 44-60-M8-40-B0-*	60	M8	40	6.6	2.5	11	-	48	-	17	8	96
GN 44-60-M8-40-D1-*	60	M8	40	-	2.5	11	-	48	2	17	8	106
GN 44-60-M8-40-D3-*	60	M8	40	-	2.5	11	4.5	48	-	17	8	90
GN 44-60-M8-50-D0-*	60	M8	50	-	2.5	11	-	48	-	17	8	101
GN 44-60-M8-50-B0-*	60	M8	50	6.6	2.5	11	-	48	-	17	8	100
GN 44-60-M8-50-D1-*	60	M8	50	-	2.5	11	-	48	2	17	8	109
GN 44-60-M8-50-D3-*	60	M8	50	-	2.5	11	4.5	48	-	17	8	115
GN 44-60-M8-63-D0-*	60	M8	63	-	2.5	11	-	48	-	17	8	105
GN 44-60-M8-63-B0-*	60	M8	63	6.6	2.5	11	-	48	-	17	8	103
GN 44-60-M8-63-D1-*	60	M8	63	-	2.5	11	-	48	2	17	8	113
GN 44-60-M8-63-D3-*	60	M8	63	-	2.5	11	4.5	48	-	17	8	118
GN 44-60-M10-50-D0-*	60	M10	50	-	2.5	11	-	48	-	17	14	110
GN 44-60-M10-50-B0-*	60	M10	50	6.6	2.5	11	-	48	-	17	14	108
GN 44-60-M10-50-D1-*	60	M10	50	-	2.5	11	-	48	2	17	14	118
GN 44-60-M10-50-D3-*	60	M10	50	-	2.5	11	4.5	48	-	17	14	123
GN 44-60-M10-60-D0-*	60	M10	60	-	2.5	11	-	48	-	17	14	115
GN 44-60-M10-60-B0-*	60	M10	60	6.6	2.5	11	-	48	-	17	14	113
GN 44-60-M10-60-D1-*	60	M10	60	-	2.5	11	-	48	2	17	14	123
GN 44-60-M10-60-D3-*	60	M10	60	-	2.5	11	4.5	48	-	17	14	128
GN 44-60-M10-80-D0-*	60	M10	80	-	2.5	11	-	48	-	17	14	125
GN 44-60-M10-80-B0-*	60	M10	80	6.6	2.5	11	-	48	-	17	14	123
GN 44-60-M10-80-D1-*	60	M10	80	-	2.5	11	-	48	2	17	14	133
GN 44-60-M10-80-D3-*	60	M10	80	-	2.5	11	4.5	48	-	17	14	138
GN 44-60-M10-100-D0-*	60	M10	100	-	2.5	11	-	48	-	17	14	135
GN 44-60-M10-100-B0-*	60	M10	100	6.6	2.5	11	-	48	-	17	14	133
GN 44-60-M10-100-D1-*	60	M10	100	-	2.5	11	-	48	2	17	14	143
GN 44-60-M10-100-D3-*	60	M10	100	-	2.5	11	4.5	48	-	17	14	148

Weight version S





\* Complete with  
S without nut  
SK with nut

GN 44-S/SK

STAINLESS STEEL

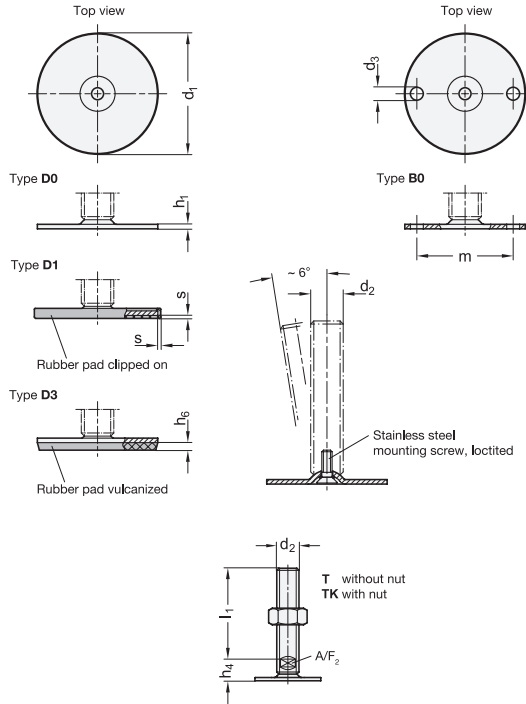
Description	d1	d2	l1	d3	h1	h3	h6	m	s	A/F1	Static load in kN	⚖️
GN 44-60-M12-60-D0-*	60	M 12	60	2.5	11	48	17	16	128			
GN 44-60-M12-60-B0-*	60	M 12	60	6.6	2.5	11	48	17	16	126		
GN 44-60-M12-60-D1-*	60	M 12	60	2.5	11	48	2	17	16	136		
GN 44-60-M12-60-D3-*	60	M 12	60	2.5	11	4.5	48	17	16	141		
GN 44-60-M12-80-D0-*	60	M 12	80	2.5	11	48	17	16	120			
GN 44-60-M12-80-B0-*	60	M 12	80	6.6	2.5	11	48	17	16	140		
GN 44-60-M12-80-D1-*	60	M 12	80	2.5	11	48	2	17	16	150		
GN 44-60-M12-80-D3-*	60	M 12	80	2.5	11	4.5	48	17	16	155		
GN 44-60-M12-100-D0-*	60	M 12	100	2.5	11	48	17	16	156			
GN 44-60-M12-100-B0-*	60	M 12	100	6.6	2.5	11	48	17	16	154		
GN 44-60-M12-100-D1-*	60	M 12	100	2.5	11	48	2	17	16	164		
GN 44-60-M12-100-D3-*	60	M 12	100	2.5	11	4.5	48	17	16	170		
GN 44-60-M12-125-D0-*	60	M 12	125	2.5	11	48	17	16	174			
GN 44-60-M12-125-B0-*	60	M 12	125	6.6	2.5	11	48	17	16	173		
GN 44-60-M12-125-D1-*	60	M 12	125	2.5	11	48	2	17	16	182		
GN 44-60-M12-125-D3-*	60	M 12	125	2.5	11	4.5	48	17	16	188		
GN 44-80-M8-40-D0-*	80	M 8	40	3	12	64	17	8	160			
GN 44-80-M8-40-B0-*	80	M 8	40	8.5	3	12	64	17	8	158		
GN 44-80-M8-40-D1-*	80	M 8	40	3	12	64	2	17	8	174		
GN 44-80-M8-40-D3-*	80	M 8	40	3	12	5	64	17	8	188		
GN 44-80-M8-50-D0-*	80	M 8	50	3	12	64	17	8	164			
GN 44-80-M8-50-B0-*	80	M 8	50	8.5	3	12	64	17	8	161		
GN 44-80-M8-50-D1-*	80	M 8	50	3	12	64	2	17	8	178		
GN 44-80-M8-50-D3-*	80	M 8	50	3	12	5	64	17	8	191		
GN 44-80-M8-63-D0-*	80	M 8	63	3	12	64	17	8	167			
GN 44-80-M8-63-B0-*	80	M 8	63	8.5	3	12	64	17	8	165		
GN 44-80-M8-63-D1-*	80	M 8	63	3	12	64	2	17	8	181		
GN 44-80-M8-63-D3-*	80	M 8	63	3	12	5	64	17	8	195		
GN 44-80-M10-50-D0-*	80	M 10	50	3	12	64	17	14	172			
GN 44-80-M10-50-B0-*	80	M 10	50	8.5	3	12	64	17	14	170		
GN 44-80-M10-50-D1-*	80	M 10	50	3	12	64	2	17	14	186		
GN 44-80-M10-50-D3-*	80	M 10	50	3	12	5	64	17	14	200		

GN 44-S/SK

STAINLESS STEEL

Description	d1	d2	l1	d3	h1	h3	h6	m	s	A/F1	Static load in kN	⚖️
GN 44-80-M10-60-D0-*	80	M 10	60	3	12	64	17	14	177			
GN 44-80-M10-60-B0-*	80	M 10	60	8.5	3	12	64	17	14	174		
GN 44-80-M10-60-D1-*	80	M 10	60	3	12	64	2	17	14	191		
GN 44-80-M10-60-D3-*	80	M 10	60	3	12	5	64	17	14	205		
GN 44-80-M10-80-D0-*	80	M 10	80	3	12	64	17	14	187			
GN 44-80-M10-80-B0-*	80	M 10	80	8.5	3	12	64	17	14	184		
GN 44-80-M10-80-D1-*	80	M 10	80	3	12	64	2	17	14	201		
GN 44-80-M10-80-D3-*	80	M 10	80	3	12	5	64	17	14	215		
GN 44-80-M10-100-D0-*	80	M 10	100	3	12	64	17	14	197			
GN 44-80-M10-100-B0-*	80	M 10	100	8.5	3	12	64	17	14	194		
GN 44-80-M10-100-D1-*	80	M 10	100	3	12	64	2	17	14	211		
GN 44-80-M10-100-D3-*	80	M 10	100	3	12	5	64	17	14	225		
GN 44-80-M12-60-D0-*	80	M 12	60	3	12	64	17	20	190			
GN 44-80-M12-60-B0-*	80	M 12	60	8.5	3	12	64	17	20	187		
GN 44-80-M12-60-D1-*	80	M 12	60	3	12	64	2	17	20	204		
GN 44-80-M12-60-D3-*	80	M 12	60	3	12	5	64	17	20	218		
GN 44-80-M12-80-D0-*	80	M 12	80	3	12	64	17	20	204			
GN 44-80-M12-80-B0-*	80	M 12	80	8.5	3	12	64	17	20	202		
GN 44-80-M12-80-D1-*	80	M 12	80	3	12	64	2	17	20	218		
GN 44-80-M12-80-D3-*	80	M 12	80	3	12	5	64	17	20	232		
GN 44-80-M12-100-D0-*	80	M 12	100	3	12	64	17	20	218			
GN 44-80-M12-100-B0-*	80	M 12	100	8.5	3	12	64	17	20	216		
GN 44-80-M12-100-D1-*	80	M 12	100	3	12	64	2	17	20	232		
GN 44-80-M12-100-D3-*	80	M 12	100	3	12	5	64	17	20	246		
GN 44-80-M12-125-D0-*	80	M 12	125	3	12	64	17	20	237			
GN 44-80-M12-125-B0-*	80	M 12	125	8.5	3	12	64	17	20	234		
GN 44-80-M12-125-D1-*	80	M 12	125	3	12	64	2	17	20	251		
GN 44-80-M12-125-D3-*	80	M 12	125	3	12	5	64	17	20	264		

Weight version S



\* Complete with  
**T** without nut  
**TK** with nut

**GN 44-T/TK**

**STAINLESS STEEL**

Description	d1	d2	l1	d3	h1	h4	h6	m	s	A/F <sub>2</sub>	Static load in kN	
GN 44-40-M16-75-D0-*	40**	M16	75	2	17	30				12	12	149
GN 44-40-M16-75-D1-*	40**	M16	75	2	17	30	1.5	12	12	12	12	152
GN 44-40-M16-75-D3-*	40**	M16	75	2	17	3.5	30			12	12	153
GN 44-40-M16-100-D0-*	40**	M16	100	2	17	30				12	12	182
GN 44-40-M16-100-D1-*	40**	M16	100	2	17	30	1.5	12	12	12	12	185
GN 44-40-M16-100-D3-*	40**	M16	100	2	17	3.5	30			12	12	186
GN 44-40-M16-125-D0-*	40**	M16	125	2	17	30				12	12	216
GN 44-40-M16-125-D1-*	40**	M16	125	2	17	30	1.5	12	12	12	12	219
GN 44-40-M16-125-D3-*	40**	M16	125	2	17	3.5	30			12	12	219
GN 44-40-M16-150-D0-*	40**	M16	150	2	17	30				12	12	251
GN 44-40-M16-150-D1-*	40**	M16	150	2	17	30	1.5	12	12	12	12	254
GN 44-40-M16-150-D3-*	40**	M16	150	2	17	3.5	30			12	12	255
GN 44-40-M16-200-D0-*	40**	M16	200	2	17	30				12	12	315
GN 44-40-M16-200-D1-*	40**	M16	200	2	17	30	1.5	12	12	12	12	318
GN 44-40-M16-200-D3-*	40**	M16	200	2	17	3.5	30			12	12	319
GN 44-40-M16-250-D0-*	40**	M16	250	2	17	30				12	12	654
GN 44-40-M16-250-D1-*	40**	M16	250	2	17	30	1.5	12	12	12	12	657
GN 44-40-M16-250-D3-*	40**	M16	250	6.6	2.5	17	3.5	30		12	12	658
GN 44-50-M16-75-D0-*	50	M16	75	2.5	17	38	12	14	16	18	14	168
GN 44-50-M16-75-B0-*	50	M16	75	2.5	17	38				12	14	167
GN 44-50-M16-75-D1-*	50	M16	75	2.5	17	38	2	12	14	14	14	174
GN 44-50-M16-75-D3-*	50	M16	75	6.6	2.5	17	4	38		12	14	176
GN 44-50-M16-100-D0-*	50	M16	100	2.5	17	38				12	14	201
GN 44-50-M16-100-B0-*	50	M16	100	2.5	17	38				12	14	200
GN 44-50-M16-100-D1-*	50	M16	100	2.5	17	38	2	12	14	14	207	
GN 44-50-M16-100-D3-*	50	M16	100	6.6	2.5	17	4	38		12	14	209
GN 44-50-M16-125-D0-*	50	M16	125	2.5	17	38				12	14	234
GN 44-50-M16-125-B0-*	50	M16	125	2.5	17	38				12	14	233
GN 44-50-M16-125-D1-*	50	M16	125	2.5	17	38	2	12	14	14	240	
GN 44-50-M16-125-D3-*	50	M16	125	6.6	2.5	17	4	38		12	14	242
GN 44-50-M16-150-D0-*	50	M16	150	2.5	17	38				12	14	270
GN 44-50-M16-150-B0-*	50	M16	150	2.5	17	38				12	14	269
GN 44-50-M16-150-D1-*	50	M16	150	2.5	17	38	2	12	14	14	276	
GN 44-50-M16-150-D3-*	50	M16	150	6.6	2.5	17	4	38		12	14	278

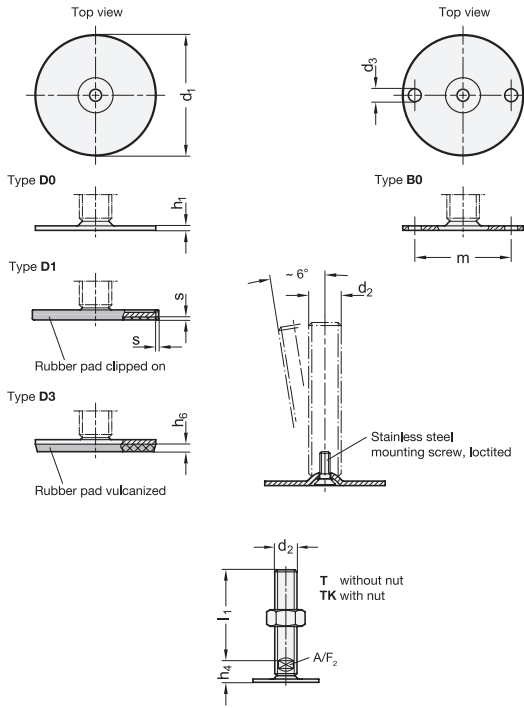
**GN 44-T/TK**

**STAINLESS STEEL**

Description	d1	d2	l1	d3	h1	h4	h6	m	s	A/F <sub>2</sub>	Static load in kN	
GN 44-50-M16-200-D0-*	50	M16	200	2.5	17	38				12	14	333
GN 44-50-M16-200-B0-*	50	M16	200	2.5	17	38				12	14	332
GN 44-50-M16-200-D1-*	50	M16	200	2.5	17	38	2	12	14	14	339	
GN 44-50-M16-200-D3-*	50	M16	200	6.6	2.5	17	4	38		12	14	341
GN 44-50-M16-250-D0-*	50	M16	250	2.5	17	38				12	14	672
GN 44-50-M16-250-B0-*	50	M16	250	2.5	17	38				12	14	671
GN 44-50-M16-250-D1-*	50	M16	250	2.5	17	38	2	12	14	14	678	
GN 44-50-M16-250-D3-*	50	M16	250	6.6	2.5	17	4	38		12	14	680
GN 44-60-M16-75-D0-*	60	M16	75	2.5	17	48				12	16	185
GN 44-60-M16-75-B0-*	60	M16	75	2.5	17	48				12	16	184
GN 44-60-M16-75-D1-*	60	M16	75	2.5	17	48	2	12	16	16	193	
GN 44-60-M16-75-D3-*	60	M16	75	6.6	2.5	17	4.5	48		12	16	198
GN 44-60-M16-100-D0-*	60	M16	100	2.5	17	48				12	16	218
GN 44-60-M16-100-B0-*	60	M16	100	2.5	17	48				12	16	217
GN 44-60-M16-100-D1-*	60	M16	100	2.5	17	48	2	12	16	16	226	
GN 44-60-M16-100-D3-*	60	M16	100	6.6	2.5	17	4.5	48		12	16	231
GN 44-60-M16-125-D0-*	60	M16	125	2.5	17	48				12	16	251
GN 44-60-M16-125-B0-*	60	M16	125	2.5	17	48				12	16	250
GN 44-60-M16-125-D1-*	60	M16	125	2.5	17	48	2	12	16	16	259	
GN 44-60-M16-125-D3-*	60	M16	125	6.6	2.5	17	4.5	48		12	16	264
GN 44-60-M16-150-D0-*	60	M16	150	2.5	17	48				12	16	287
GN 44-60-M16-150-B0-*	60	M16	150	2.5	17	48				12	16	286
GN 44-60-M16-150-D1-*	60	M16	150	2.5	17	48	2	12	16	16	295	
GN 44-60-M16-150-D3-*	60	M16	150	6.6	2.5	17	4.5	48		12	16	300
GN 44-60-M16-200-D0-*	60	M16	200	2.5	17	48				12	16	350
GN 44-60-M16-200-B0-*	60	M16	200	2.5	17	48				12	16	363
GN 44-60-M16-200-D1-*	60	M16	200	2.5	17	48	2	12	16	16	358	
GN 44-60-M16-200-D3-*	60	M16	200	6.6	2.5	17	4.5	48		12	16	363
GN 44-60-M16-250-D0-*	60	M16	250	2.5	17	48				12	16	689
GN 44-60-M16-250-B0-*	60	M16	250	2.5	17	48				12	16	702
GN 44-60-M16-250-D1-*	60	M16	250	2.5	17	48	2	12	16	16	697	
GN 44-60-M16-250-D3-*	60	M16	250	8.5	2.5	17	4.5	48		12	16	702

Weight version T  
 \*\* not available in type B0





\* Complete with  
**T** without nut      **TK** with nut

GN 44-T/TK

STAINLESS STEEL

Description	d1	d2	l1	d3	h1	h4	h6	m	s	A/F2	Static load in kN
GN 44-80-M16-75-D0-*	80	M16	75	3	18	64		12	20	248	
GN 44-80-M16-75-B0-*	80	M16	75	3	18	64		12	20	244	
GN 44-80-M16-75-D1-*	80	M16	75	3	18	64	2	12	20	262	
GN 44-80-M16-75-D3-*	80	M16	75	8.5	3	18	5	64	12	20	275
GN 44-80-M16-100-D0-*	80	M16	100	3	18	64		12	20	281	
GN 44-80-M16-100-B0-*	80	M16	100	3	18	64		12	20	277	
GN 44-80-M16-100-D1-*	80	M16	100	3	18	64	2	12	20	295	
GN 44-80-M16-100-D3-*	80	M16	100	8.5	3	18	5	64	12	20	308
GN 44-80-M16-125-D0-*	80	M16	125	3	18	64		12	20	314	
GN 44-80-M16-125-B0-*	80	M16	125	3	18	64		12	20	310	
GN 44-80-M16-125-D1-*	80	M16	125	3	18	64	2	12	20	328	
GN 44-80-M16-125-D3-*	80	M16	125	8.5	3	18	5	64	12	20	341
GN 44-80-M16-150-D0-*	80	M16	150	3	18	64		12	20	350	
GN 44-80-M16-150-B0-*	80	M16	150	3	18	64		12	20	346	
GN 44-80-M16-150-D1-*	80	M16	150	3	18	64	2	12	20	364	
GN 44-80-M16-150-D3-*	80	M16	150	8.5	3	18	5	64	12	20	377
GN 44-80-M16-200-D0-*	80	M16	200	3	18	64		12	20	413	
GN 44-80-M16-200-B0-*	80	M16	200	3	18	64		12	20	409	
GN 44-80-M16-200-D1-*	80	M16	200	3	18	64	2	12	20	427	
GN 44-80-M16-200-D3-*	80	M16	200	8.5	3	18	5	64	12	20	440
GN 44-80-M16-250-D0-*	80	M16	250	3	18	64		12	20	752	
GN 44-80-M16-250-B0-*	80	M16	250	3	18	64		12	20	748	
GN 44-80-M16-250-D1-*	80	M16	250	3	18	64	2	12	20	766	
GN 44-80-M16-250-D3-*	80	M16	250	8.5	3	18	5	64	12	20	779
GN 44-80-M20-75-D0-*	80	M20	75	3	19	64		15	20	311	
GN 44-80-M20-75-B0-*	80	M20	75	3	19	64		15	20	308	
GN 44-80-M20-75-D1-*	80	M20	75	3	19	64	2	15	20	325	
GN 44-80-M20-75-D3-*	80	M20	75	8.5	3	19	5	64	15	20	339
GN 44-80-M20-100-D0-*	80	M20	100	3	19	64		15	20	363	
GN 44-80-M20-100-B0-*	80	M20	100	3	19	64		15	20	360	
GN 44-80-M20-100-D1-*	80	M20	100	3	19	64	2	15	20	377	
GN 44-80-M20-100-D3-*	80	M20	100	8.5	3	19	5	64	15	20	391
GN 44-80-M20-125-D0-*	80	M20	125	3	19	64		15	20	414	
GN 44-80-M20-125-B0-*	80	M20	125	3	19	64		15	20	411	
GN 44-80-M20-125-D1-*	80	M20	125	3	19	64	2	15	20	428	
GN 44-80-M20-125-D3-*	80	M20	125	8.5	3	19	5	64	15	20	442

GN 44-T/TK

STAINLESS STEEL

Description	d1	d2	l1	d3	h1	h4	h6	m	s	A/F2	Static load in kN
GN 44-80-M20-150-D0-*	80	M20	150	3	19	64		15	20	469	
GN 44-80-M20-150-B0-*	80	M20	150	3	19	64		15	20	466	
GN 44-80-M20-150-D1-*	80	M20	150	3	19	64	2	15	20	483	
GN 44-80-M20-150-D3-*	80	M20	150	8.5	3	19	5	64	15	20	497
GN 44-80-M20-200-D0-*	80	M20	200	3	19	64		15	20	569	
GN 44-80-M20-200-B0-*	80	M20	200	3	19	64		15	20	566	
GN 44-80-M20-200-D1-*	80	M20	200	3	19	64	2	15	20	570	
GN 44-80-M20-200-D3-*	80	M20	200	8.5	3	19	5	64	15	20	597
GN 44-80-M20-250-D0-*	80	M20	250	3	19	64		15	20	1102	
GN 44-80-M20-250-B0-*	80	M20	250	3	19	64		15	20	1099	
GN 44-80-M20-250-D1-*	80	M20	250	3	19	64	2	15	20	1103	
GN 44-80-M20-250-D3-*	80	M20	250	8.5	3	19	5	64	15	20	1130
GN 44-80-M24-100-D0-*	80	M24	100	3	22	64		19	22	474	
GN 44-80-M24-100-B0-*	80	M24	100	3	22	64		19	22	470	
GN 44-80-M24-100-D1-*	80	M24	100	3	22	64	2	19	22	488	
GN 44-80-M24-100-D3-*	80	M24	100	8.5	3	22	5	64	19	22	499
GN 44-80-M24-125-D0-*	80	M24	125	3	22	64		19	22	549	
GN 44-80-M24-125-B0-*	80	M24	125	3	22	64		19	22	545	
GN 44-80-M24-125-D1-*	80	M24	125	3	22	64	2	19	22	563	
GN 44-80-M24-125-D3-*	60	M24	125	8.5	3	22	5	64	19	22	574
GN 44-80-M24-150-D0-*	60	M24	150	3	22	64		19	22	624	
GN 44-80-M24-150-B0-*	60	M24	150	3	22	64		19	22	620	
GN 44-80-M24-150-D1-*	60	M24	150	3	22	64	2	19	22	638	
GN 44-80-M24-150-D3-*	60	M24	150	8.5	3	22	5	64	19	22	650
GN 44-80-M24-200-D0-*	80	M24	200	3	22	64		19	22	774	
GN 44-80-M24-200-B0-*	80	M24	200	3	22	64		19	22	770	
GN 44-80-M24-200-D1-*	80	M24	200	3	22	64	2	19	22	788	
GN 44-80-M24-200-D3-*	80	M24	200	8.5	3	22	5	64	19	22	799
GN 44-80-M24-300-D0-*	80	M24	300	3	22	64		19	22	1707	
GN 44-80-M24-300-B0-*	80	M24	300	3	22	64		19	22	1703	
GN 44-80-M24-300-D1-*	80	M24	300	3	22	64	2	19	22	1721	
GN 44-80-M24-300-D3-*	80	M24	300	3	22	64	5	64	19	22	1732

Weight version T  
 \*\* not available in type B0

Leveling elements 11